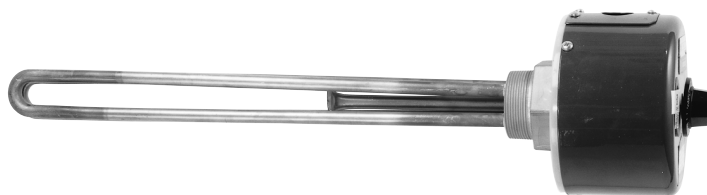


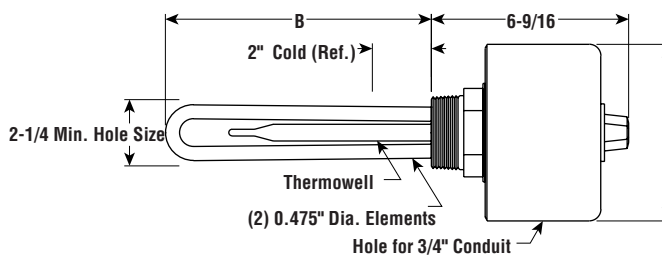
ARMTS-2 Process Water Applications



SCREW PLUG

- 2" NPT Stainless Steel Passivated Screw Plug
- Stainless Steel Passivated Sheath Elements
- High Watt Density (43 - 51 W/in²)
- 2 - 15 kW
- Integral Thermostat (DPST)
- 208, 240 and 480 Volt, Single Phase
- General Purpose Terminal Enclosure

E1 — Dimensions (Inches)



Specifications and Ordering Information

							T2 — Temperature (60 - 250°F)			T1 — Temperature (0 - 100°F)		
kW	Volts	Phase	W/in ²	No. Elem.	DIM B (In.)	Wt. (Lbs.)	Model	Stock	PCN	Model	Stock	PCN
E1 General Purpose												
2	208	1	51	2	7-1/2	6	ARMTS-2205-3T2	AS	187426	ARMTS-2205-3T1	AS	187434
2	240	1	51	2	7-1/2	6	ARMTS-2205-3T2	AS	184145	ARMTS-2205-3T1	AS	184188
2	480	1	51	2	7-1/2	6	ARMTS-2205-3T2	AS	184153	ARMTS-2205-3T1	AS	184196
2.5	240	1	47	2	9	7	ARMTS-2255T2	AS	184225	ARMTS-2255T1	AS	184268
2.5	480	1	47	2	9	7	ARMTS-2255T2	AS	184233	ARMTS-2255T1	AS	184276
3	208	1	43	2	11-1/2	7	ARMTS-2305T2	AS	187469	ARMTS-2305T1	AS	187477
3	240	1	43	2	11-1/2	7	ARMTS-2305T2	AS	184305	ARMTS-2305T1	AS	184348
3	480	1	43	2	11-1/2	7	ARMTS-2305T2	AS	184313	ARMTS-2305T1	AS	184356
4	208	1	44	2	17-1/2	7	ARMTS-2405T2	AS	187506	ARMTS-2405T1	AS	187514
4	240	1	44	2	17-1/2	7	ARMTS-2405T2	AS	184380	ARMTS-2405T1	AS	184428
4	480	1	44	2	17-1/2	7	ARMTS-2405T2	AS	184399	ARMTS-2405T1	AS	184436
5	208	1	45	2	19	8	ARMTS-2505T2	AS	187549	ARMTS-2505T1	AS	187557
5	240	1	45	2	19	8	ARMTS-2505T2	AS	184460	ARMTS-2505T1	AS	184508
5	480	1	45	2	19	8	ARMTS-2505T2	AS	184479	ARMTS-2505T1	AS	184516
6	208	1	46	2	24-1/2	8	ARMTS-2605T2	AS	187581	ARMTS-2605T1	AS	187590
6	240	1	46	2	24-1/2	8	ARMTS-2605T2	AS	184540	ARMTS-2605T1	AS	184583
6	480	1	46	2	24-1/2	8	ARMTS-2605T2	AS	184559	ARMTS-2605T1	AS	184591
7	240	1	46	2	27-1/2	9	ARMTS-2705T2	AS	184620	ARMTS-2705T1	AS	184663
7	480	1	46	2	27-1/2	9	ARMTS-2705T2	AS	184639	ARMTS-2705T1	AS	184671
10	208	1	46	2	40	10	ARMTS-21005T2	AS	187629	ARMTS-21005T1	AS	187637
10	240	1	46	2	40	10	ARMTS-21005T2	AS	184700	ARMTS-21005T1	AS	184743
10	480	1	46	2	40	10	ARMTS-21005T2	AS	184719	ARMTS-21005T1	AS	184751
12	240	1	46	2	48	11	ARMTS-21205T2 ¹	AS	310640	ARMTS-21205T1 ¹	AS	310666
12	480	1	46	2	48	11	ARMTS-21205T2	AS	310658	ARMTS-21205T1	AS	310674
15	240	1	50	2	54	12	ARMTS-21505T2 ¹	AS	310720	ARMTS-21505T1 ¹	AS	310746
15	480	1	50	2	54	12	ARMTS-21505T2	AS	310738	ARMTS-21505T1	AS	310754

Stock Status: S = stock AS = assembly stock NS = non-stock
To Order—Specify model, volts, phase, kW, PCN and quantity.

1. Not UL Listed or CSA Certified (Exceeds 48 Amps).

FASTShip

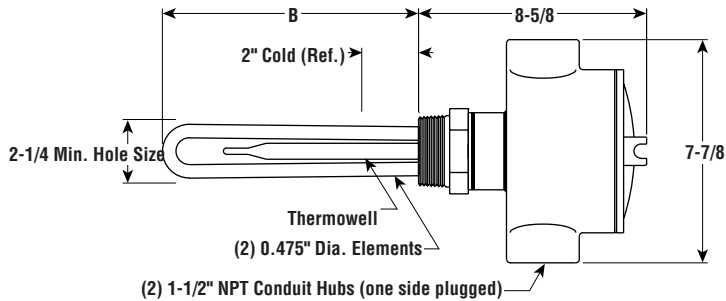
Same-day shipping on stock item orders received before 4 pm CST. 3-day shipping on assembly-stock items.

ARMTS-2 Process Water Applications (cont'd.)



- 2" NPT Stainless Steel Passivated Screw Plug
- Stainless Steel Passivated Sheath Elements
- High Watt Density (43 - 51 W/in²)
- 2 - 15 kW
- Integral Thermostat (DPST)
- 208, 240 and 480 Volt, Single Phase
- Moisture Resistant/Explosion Resistant Terminal Enclosure

E2 — Dimensions (Inches)



Specifications and Ordering Information

							T2 — Temperature (60 - 250°F)			T1 — Temperature (0 - 100°F)		
kW	Volts	Phase	W/in ²	Elem.	DIM B (In.)	Wt. (Lbs.)	Model	Stock	PCN	Model	Stock	PCN
E2 Moisture Resistant/Explosion Resistant												
2	208	1	51	2	7-1/2	12	ARMTS-2205-3E2T2	AS	187442	ARMTS-2205-3E2T1	AS	187450
2	240	1	51	2	7-1/2	12	ARMTS-2205-3E2T2	AS	184161	ARMTS-2205-3E2T1	AS	184209
2	480	1	51	2	7-1/2	12	ARMTS-2205-3E2T2	AS	184170	ARMTS-2205-3E2T1	AS	184217
2.5	240	1	47	2	9	13	ARMTS-2255E2T2	AS	184241	ARMTS-2255E2T1	AS	184284
2.5	480	1	47	2	9	13	ARMTS-2255E2T2	AS	184250	ARMTS-2255E2T1	AS	184292
3	208	1	43	2	11-1/2	13	ARMTS-2305E2T2	AS	187485	ARMTS-2305E2T1	AS	187493
3	240	1	43	2	11-1/2	13	ARMTS-2305E2T2	AS	184321	ARMTS-2305E2T1	AS	184364
3	480	1	43	2	11-1/2	13	ARMTS-2305E2T2	AS	184330	ARMTS-2305E2T1	AS	184372
4	208	1	44	2	17-1/2	13	ARMTS-2405E2T2	AS	187522	ARMTS-2405E2T1	AS	187530
4	240	1	44	2	17-1/2	13	ARMTS-2405E2T2	AS	184401	ARMTS-2405E2T1	AS	184444
4	480	1	44	2	17-1/2	13	ARMTS-2405E2T2	AS	184410	ARMTS-2405E2T1	AS	184452
5	208	1	45	2	19	14	ARMTS-2505E2T2	AS	187565	ARMTS-2505E2T1	AS	187573
5	240	1	45	2	19	14	ARMTS-2505E2T2	AS	184487	ARMTS-2505E2T1	AS	184524
5	480	1	45	2	19	14	ARMTS-2505E2T2	AS	184495	ARMTS-2505E2T1	AS	184532
6	208	1	46	2	24-1/2	14	ARMTS-2605E2T2	AS	187602	ARMTS-2605E2T1	AS	187610
6	240	1	46	2	24-1/2	14	ARMTS-2605E2T2	AS	184567	ARMTS-2605E2T1	AS	184604
6	480	1	46	2	24-1/2	14	ARMTS-2605E2T2	AS	184575	ARMTS-2605E2T1	AS	184612
7	240	1	46	2	27-1/2	15	ARMTS-2705E2T2	AS	184647	ARMTS-2705E2T1	AS	184680
7	480	1	46	2	27-1/2	15	ARMTS-2705E2T2	AS	184655	ARMTS-2705E2T1	AS	184698
10	208	1	46	2	40	16	ARMTS-21005E2T2	AS	187645	ARMTS-21005E2T1	AS	187653
10	240	1	46	2	40	16	ARMTS-21005E2T2	AS	184727	ARMTS-21005E2T1	AS	184760
10	480	1	46	2	40	16	ARMTS-21005E2T2	AS	184735	ARMTS-21005E2T1	AS	184778
12	240	1	46	2	48	17	ARMTS-21205E2T2 ¹	AS	310682	ARMTS-21205E2T1 ¹	AS	310703
12	480	1	46	2	48	17	ARMTS-21205E2T2	AS	310690	ARMTS-21205E2T1	AS	310711
15	240	1	50	2	54	18	ARMTS-21505E2T2 ¹	AS	310762	ARMTS-21505E2T1 ¹	AS	310789
15	480	1	50	2	54	18	ARMTS-21505E2T2	AS	310770	ARMTS-21505E2T1	AS	310797

Stock Status: S = stock AS = assembly stock NS = non-stock
To Order—Specify model, volts, phase, kW, PCN and quantity.

1. Not CSA NRTL/C Certified (Exceeds 48 Amps).

FASTShip

Same-day shipping on stock item orders received before 4 pm CST.
 3-day shipping on assembly-stock items.