

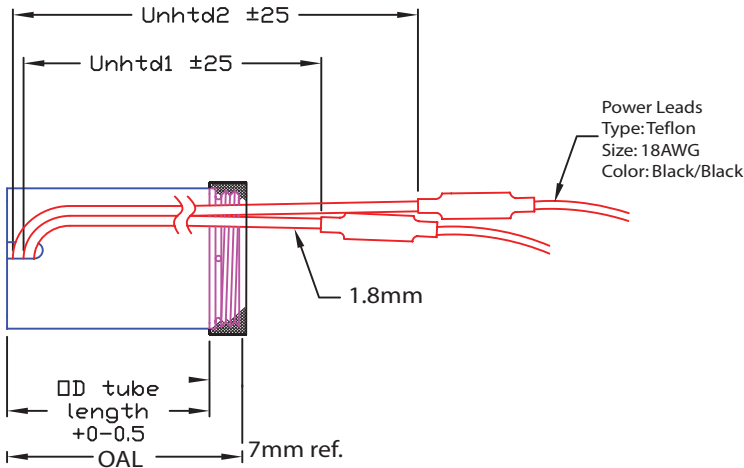
Durability has never been this precise



Introducing the hotlock® mini coil heater utilizing the positive locking positioning ring. Installation is easy, with a twist of the end cap ring the heater is secured into position onto the nozzle. No tools needed to secure the heater onto the nozzle.

Hotset ® Advantage

- Unique locking mechanism locates the hotlock® for precise location on the nozzle
- Inner diameter/outer diameter sheath with enclosed end rings for superior durability
- Special antiseize for easy removal
- Thermocouple secured in place by hotlock® locking mechanism
- Flexible cold section for routing of leads.
- Available inside diameters of : .500" (12.7mm) .750" (19.05mm), .875" (22.22mm), 1" (25.4mm)
- Mini flat coil heater profile for more efficient heating
- No tools needed to install



*Note: Ring and cap (7mm ref.) are included in the overall length of the heater.
* All dimensions are in mm.

hotlock ® Common Sizes

ID	OAL	OAL	Volts	Watts
.750"	30.0mm	1.200"	240V	200-220W
.750"	40.0mm	1.575"	240V	200-220W
.750"	50.0mm	1.970"	240V	200-220W
.750"	60.0mm	2.360"	240V	200-220W
.750"	70.0mm	2.750"	240V	200-220W
.750"	80.0mm	3.150"	240V	200-220W
.750"	90.0mm	3.540"	240V	200-220W
.750"	100.0mm	3.940"	240V	200-220W
.750"	110.0mm	4.330"	240V	200-220W
.750"	110.0mm	4.330"	240V	200-400W
.875"	30.0mm	1.200"	240V	149W
.875"	30.0mm	1.200"	240V	268W

*Build to order hotlocks® shipped within 2 weeks from date of order



hotlock® delivers precise, durable nozzle heating - with a locking mechanism for ultimate positioning and thermocouple placement

hotlock ® Technical Information

heater sheath	Cr-Ni steel
high voltage stability	800 VAC
insulation resistance	>= 5M ohm at 500 VDC (Cold)
leakage current	<= 0.5 mA at 250VAC (Cold)
watttage tolerance	+/- 2%, +/- 4%, or +/-10%
voltage	Maximum 250
standard connection	72" Teflon to 500 deg. F

Call Hotset for standard stock sizes available immediatly.