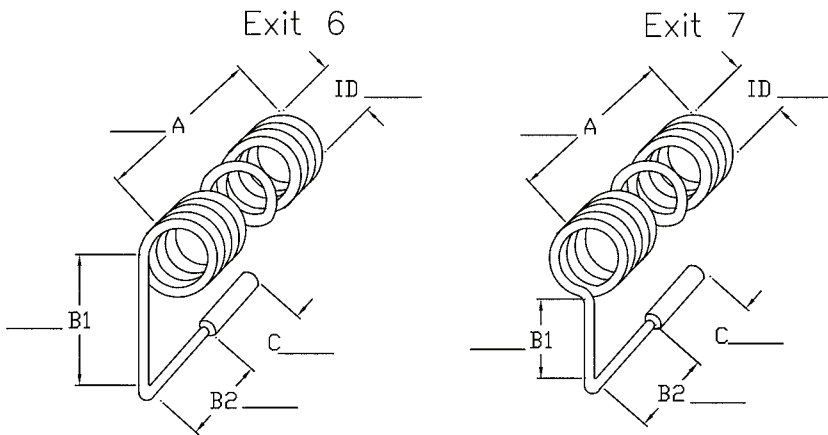
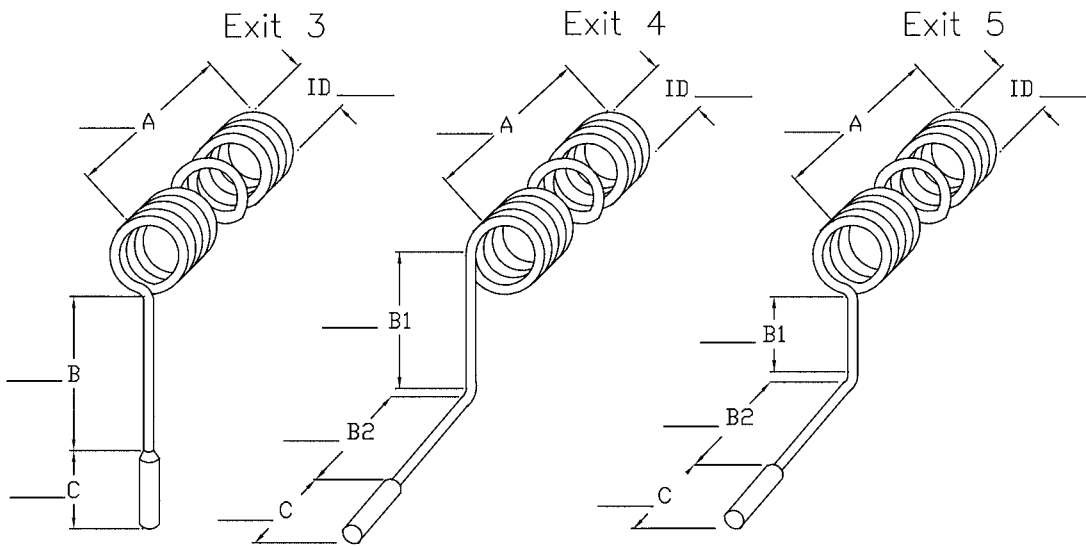
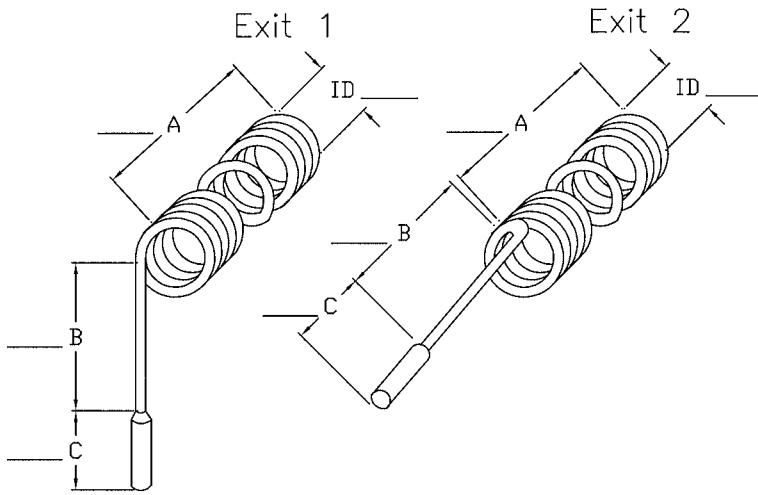


EXIT VARIATIONS AVAILABLE

Available on all coils except mini coil



Note:

Standard dimensions B=2.56", C=1.00"
When ordering, please specify exit number required and dimensions
ARM with flexible armor cable and connection ring
BMS with flexible braided metal sleeving and connection ring

CONNECTIONS AND LEADS OPTIONS

(Standard Coil Heaters are Manufactured with Teflon Leads)

HTL High Temperature
Fiberglass Leads



SLI Fiberglass Sleeve



ARM Armor Cable



BMS Stainless Steel Braid



Notes: _____
