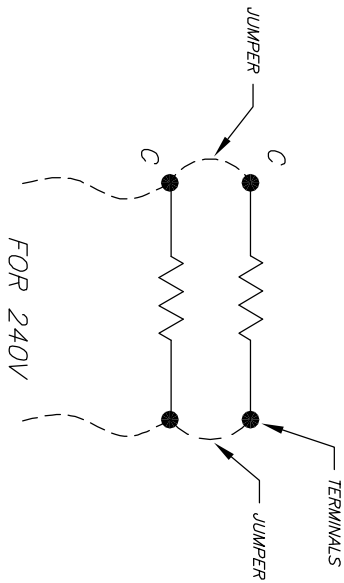
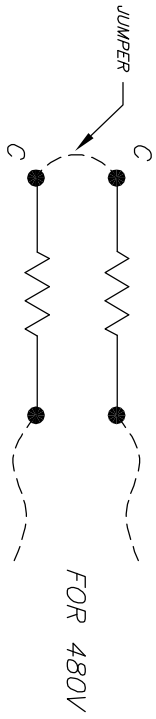


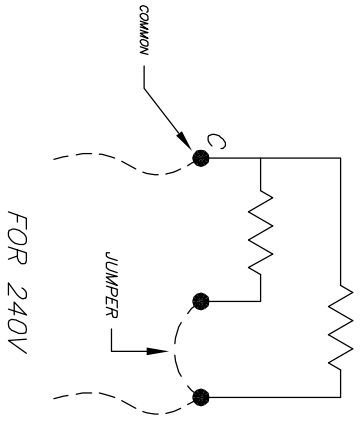
FOR HEATERS WITH TWO COMMON TERMINALS



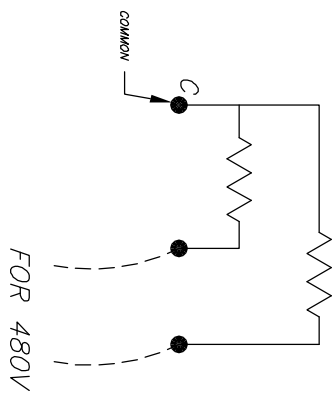
NOTE: DO NOT USE COMMON TERMINAL FOR 480 V. CONNECTION.



FOR HEATERS WITH SINGLE COMMON TERMINAL



NOTE: DO NOT USE COMMON TERMINAL FOR 480 V. CONNECTION.



DUAL - VOLT.

02/10/2015

5
